

DRAWING NO. SD208416		4	3			2			1					
CATALOG NUMBER	FIG. NO.	COPPER CONDUCTOR RANGE	"B"	"J"	I-BEAM FLANGE THKNS	1 SUGGESTED TERMINALS			REV.	DATE	DESCRIPTION	ECO	BY	C'K'D.
						COPPER CONDUCTOR	TERMINAL	"T" REF	2	11/18/97	ADDED METRIC DIMENSIONS AND NOTE 2 PER PCN	3414	JRW	KH
YGIBS28-338-2N	1	2 - 4/0 AWG	3.00 [76]	↑	.250" [6] TO .338" [9]	#2 STR. AWG	YGHA2C-2N	.26 [7]	1/2-13					
YGIBW28-338-2N	3					1/0 STR. AWG	YGHA25-2N	.19 [5]						
YGIBS34-338-2N	2					2/0 STR. AWG	YGHA26-2N	.26 [7]						
YGIBW34-338-2N	4	2 AWG-500 kcmil	6.00 [152]	4/0 STR. AWG	YGHA28-2N	.30 [8]								
YGIBS34-400-2N	2			250 kcmil	YGHA29-2N	.34 [9]								
YGIBW34-400-2N	4	500 kcmil	YGHA34-2N	.40 [10]										
YGIBS28-400-2N	1	2 - 4/0 AWG	3.00 [76]	↑	.338" [9] TO .400" [10]	#2 STR. AWG	YGHA2C-2N	.26 [7]						
YGIBW28-400-2N	3					1/0 STR. AWG	YGHA25-2N	.19 [5]						
YGIBS34-400-2N	2					2/0 STR. AWG	YGHA26-2N	.26 [7]						
YGIBW34-400-2N	4	2 AWG-500 kcmil	6.00 [152]	4/0 STR. AWG	YGHA28-2N	.30 [8]								
YGIBS28-462-2N	1			250 kcmil	YGHA29-2N	.34 [9]								
YGIBW28-462-2N	3	500 kcmil	YGHA34-2N	.40 [10]										
YGIBS34-462-2N	2	2 - 4/0 AWG	3.00 [76]	↑	.400" [10] TO .462" [12]	#2 STR. AWG	YGHA2C-2N	.26 [7]						
YGIBW34-462-2N	4					1/0 STR. AWG	YGHA25-2N	.19 [5]						
YGIBS28-550-2N	1					2/0 STR. AWG	YGHA26-2N	.26 [7]						
YGIBW28-550-2N	3	2 AWG-500 kcmil	6.00 [152]	4/0 STR. AWG	YGHA28-2N	.30 [8]								
YGIBS34-550-2N	2			250 kcmil	YGHA29-2N	.34 [9]								
YGIBW34-550-2N	4	500 kcmil	YGHA34-2N	.40 [10]										

INSTALLED

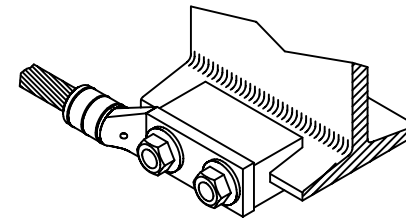


FIG. 1

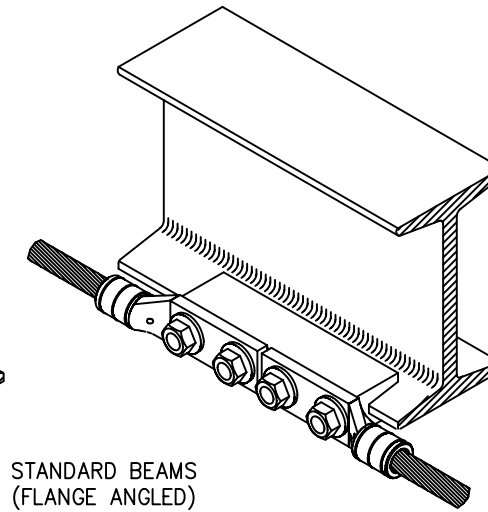


FIG. 2

STANDARD BEAMS
(FLANGE ANGLED)

STANDARD BEAMS

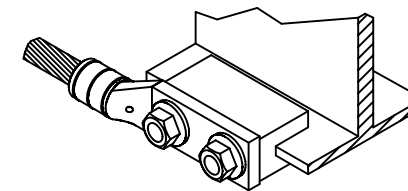


FIG. 3

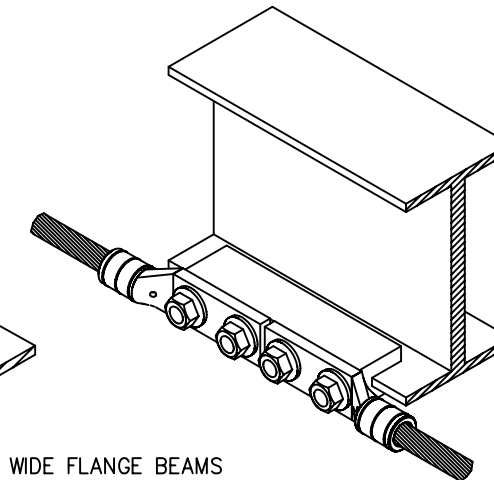


FIG. 4

WIDE FLANGE BEAMS
(FLANGE PARALLEL)

WIDE FLANGE BEAMS

NOTES:

1. TERMINAL CONNECTOR TO BE ORDERED SEPARATELY. WHEN I-BEAM CONNECTOR IS USED WITH TYPE "YGHA" TERMINAL THE CONNECTION MEETS IEEE 837-1989 REQUIREMENTS. TERMINAL TO BE ATTACHED TO YGIB CONNECTOR USING TMMH HARDWARE KIT. (SEE SHEET 1).
2. DIMENSIONS IN BRACKETS [] ARE IN MILLIMETERS, ROUNDED OFF TO THE NEAREST MILLIMETER, UNLESS OTHERWISE NOTED. METRIC DIMENSIONS ARE FOR REFERENCE ONLY.

TO ORDER BURNDY® PRODUCTS CALL
 UNITED STATES:
 1-800-346-4175 (LONDONDERRY, NH)
 CANADA:
 1-800-361-6975 (QUEBEC)
 1-800-387-6487 (ALL OTHER PROVINCES)
 FOR PRODUCT INFO: <http://www.burndy.com>

TO ORDER BURNDY PRODUCTS CALL 1-800-346-4175
 MANCHESTER, NH 03109, USA
 FOR PRODUCT INFO = <http://www.fciconnect.com>

I-BEAM CONNECTOR FOR COPPER CABLE

ITEM NO: N/A	CAT NO: YGIB----2N	
SCALE: NONE	DRAWN BY: LAVOIE	6/9/93
CHECKER: ---	DSN APPVL: G HESKEY	6/29/93
MFG APPVL: T BONINA	QC APPVL: A LLOYD	7/2/93
MKT APPVL: L HERRON	7/20/93	
PROD FAM: ---	DRAWING NO	REV
PROJECT # ---	SD208416	2
DOCUMENT TYPE: Sales	SIZE	
REL LEVEL: AutoCAD	C	
SHEET 3 OF 4		

BURNDY